

REV/DATE	DESCRIPTION	DRAW/VERIFY	PROPRIETARY PROPERTY THIS DRAWING AND INFORMATION CONTAINED THEREON IS EXCLUSIVE PROPERTY OF WEIGHPACK SYSTEMS INC. OWNER RESERVES THE RIGHT TO RECALL DRAWING UPON DEMAND AND TO COLLECT DAMAGES FOR MISUSE OF ITS PROPRIETARY INFORMATION.	THIS DRAWING IS THE PROPERTY OF WEIGHPACK SYSTEMS INC. AND NOT TO BE USED IN ANY WAY WITHOUT THE EXPRESS WRITTEN CONSENT OF WEIGHPACK SYSTEMS INC.	STOCK CODE No: <b>WEIGHPACK SYSTEMS INC.</b> WEIGHPACK SYSTEMS INC. www.weighpack.com	DRAWN BY: AL DATE: Jun. 13, 2017 APPROVED BY: DATE:	TITLE: POWER CUSTOMER: Tweed	DWG No: WED1733001	SERIAL #: SHEET REVISION
									0000 1/6 1.1.0.0

REV/DATE	DESCRIPTION	DRAW/VERIFY

204 blue, #16 TO PAGE 2

204 blue, #16 TO PAGE 2

200 blue, #16 TO PAGE 2

202 blue, #16 TO PAGE 2

203 (+) TO PAGE 2

208 TO PLC 308

209 TO PLC 309

TO PAGE 2

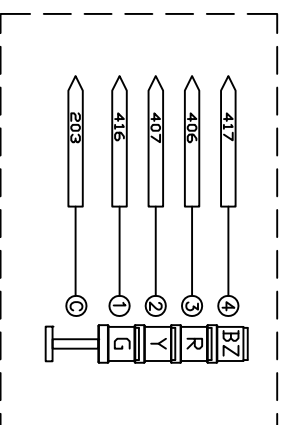
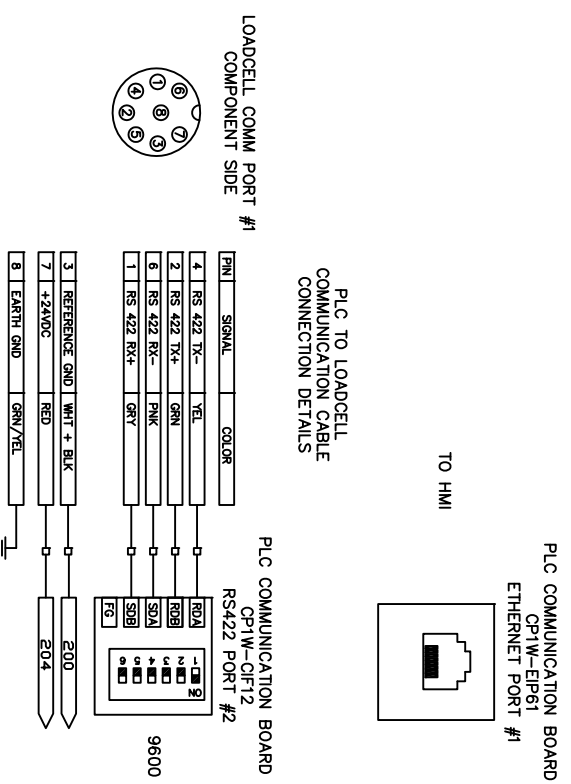
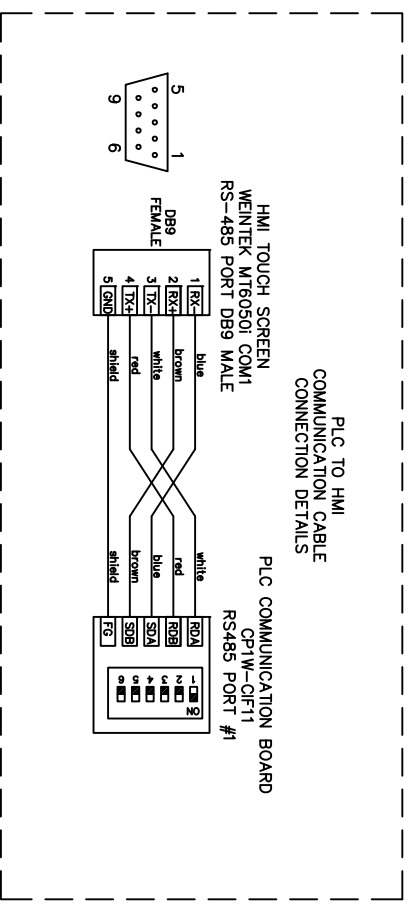
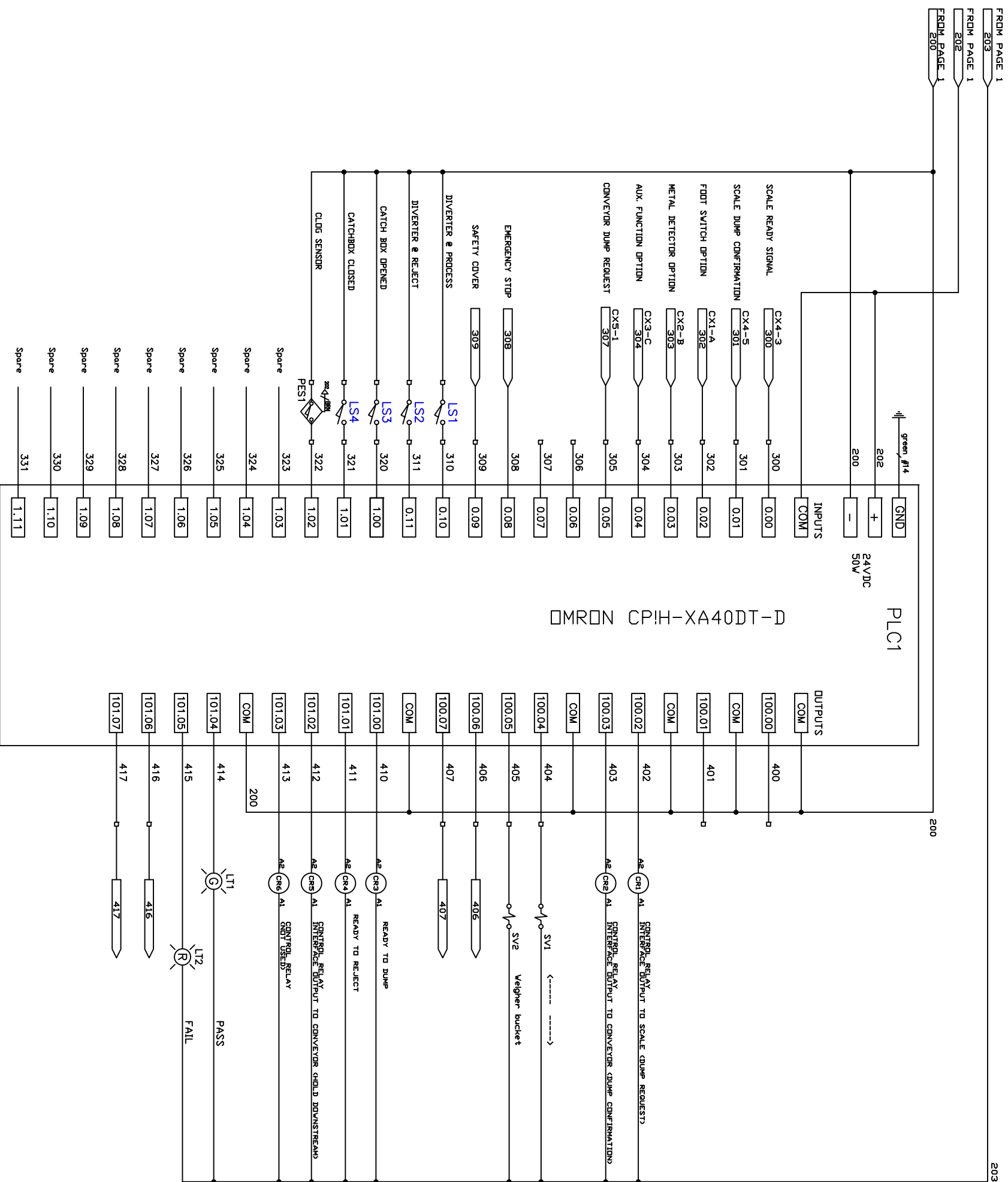
TO PAGE 2

TO PAGE 2

TO PAGE 2

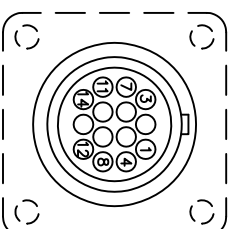
TO PAGE 2

TO PAGE 2

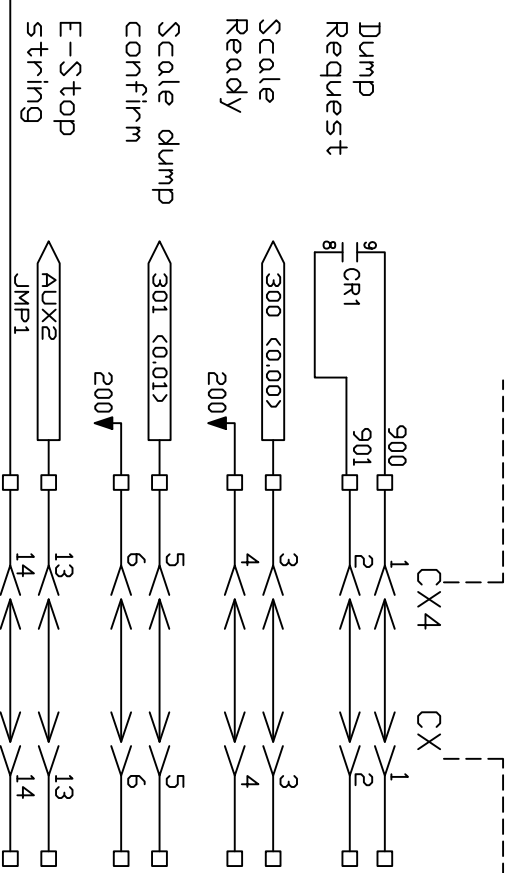


REV/DATE	DESCRIPTION	DRAW	VERIFY	PROPRIETARY PROPERTY	THIS DRAWING AND INFORMATION CONTAINED THEREON IS EXCLUSIVE PROPERTY OF WEIGHPACK SYSTEMS INC. OWNER RESERVES THE RIGHT TO RECALL DRAWING UPON DEMAND AND TO COLLECT DAMAGES FOR MISUSE OF ITS PROPRIETARY INFORMATION.	STOCK CODE No:	WEIGHPACK SYSTEMS INC.	WEIGHPACK SYSTEMS INC.	www.weighpack.com	DRAWN BY: AL	DATE: Jun. 13, 2017	TITLE: PLC	CUSTOMER: Tweed	DWG No: WED1733001	SERIAL #: 0000	SHEET REVISION: 2/6 1.1.0.0
----------	-------------	------	--------	----------------------	---	----------------	------------------------	------------------------	-------------------	--------------	---------------------	------------	-----------------	--------------------	----------------	-----------------------------

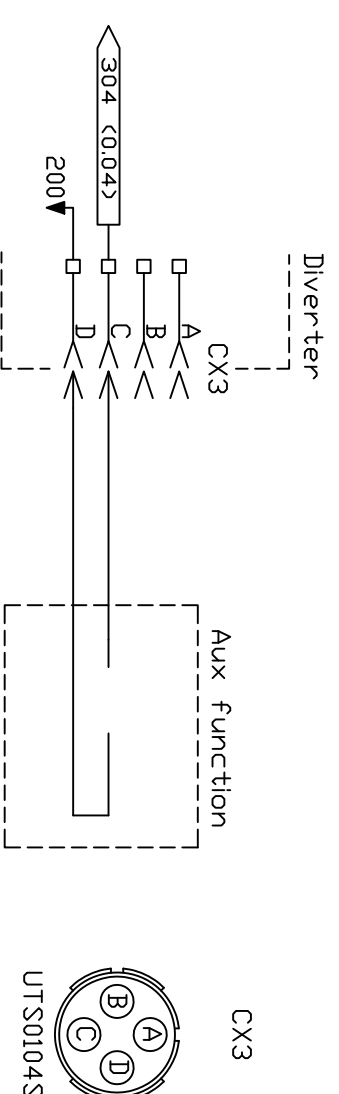
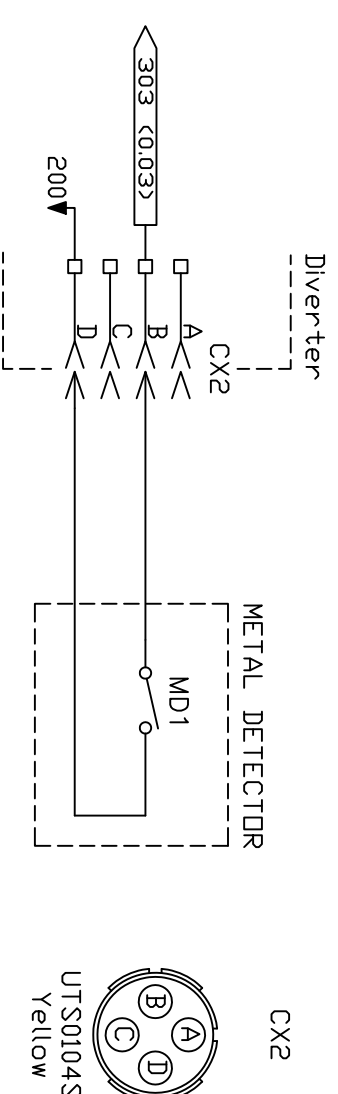
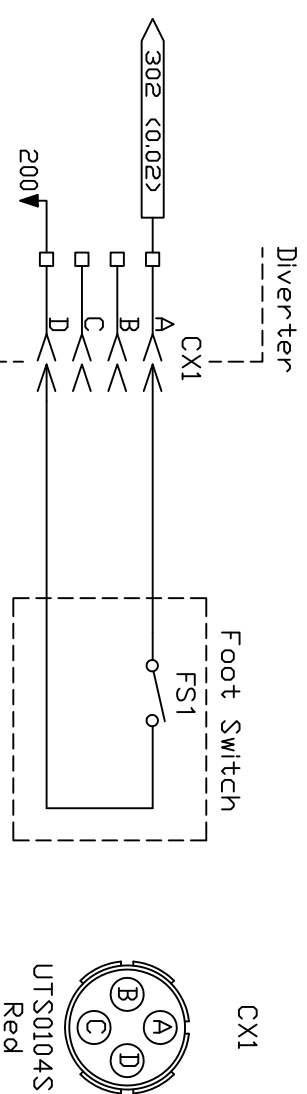
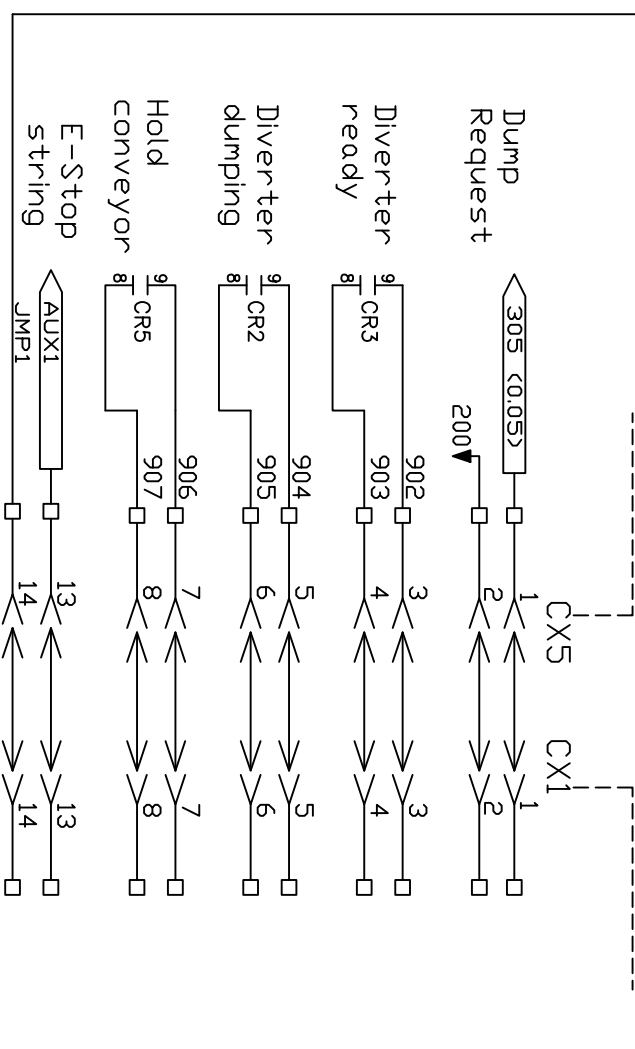
CX4-5  
14 PIN FEMALE RECEPTACLE  
A110771-100



PRE-Check Scale



PRE-Check Conveyor

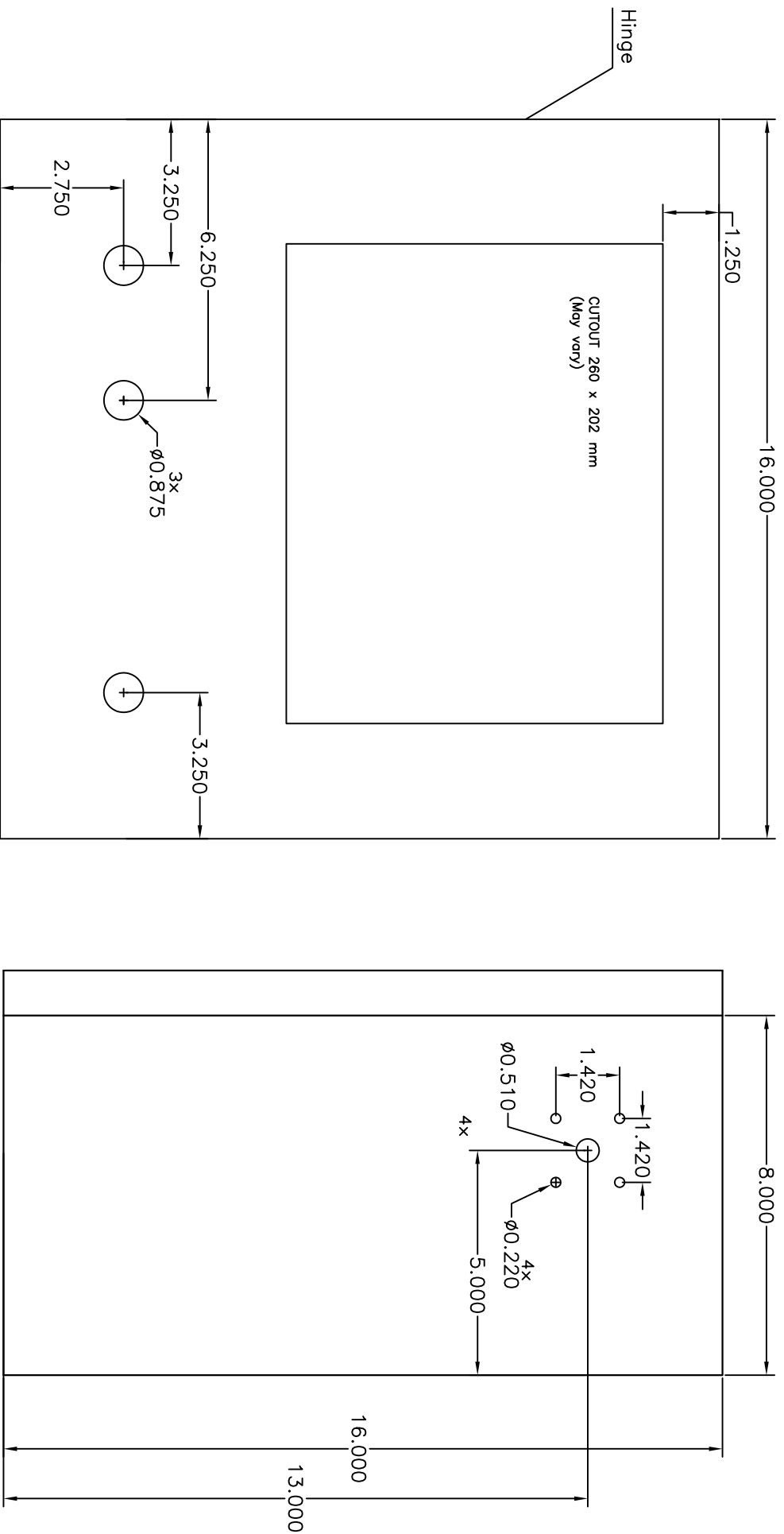


REV/DATE		DESCRIPTION	DRAW	VERIFY	<p>PROPRIETARY PROPERTY</p> <p>THIS DRAWING AND INFORMATION CONTAINED THEREON IS EXCLUSIVE PROPERTY OF WEIGHPACK SYSTEMS INC. OWNER RESERVES THE RIGHT TO RECALL DRAWING UPON DEMAND AND TO COLLECT DAMAGES FOR MISUSE OF ITS PROPRIETARY INFORMATION.</p>		<p>THIS DRAWING IS THE PROPERTY OF WEIGHPACK SYSTEMS INC. AND NOT TO BE USED IN ANY WAY WITHOUT THE EXPRESS WRITTEN CONSENT OF WEIGHPACK SYSTEMS INC.</p>		<p>STOCK CODE No:</p> <p>WEIGHPACK SYSTEMS INC. www.weighpack.com</p>		<p>DRAWN BY: AL</p> <p>DATE: Jun. 13, 2017</p> <p>APPROVED BY:</p> <p>DATE:</p> <p>REF. FILENAME:</p> <p>FILENAME: WED1733001p3 Connectors.dwg</p>		<p>TITLE: INTERFACE CONNECTORS</p> <p>CUSTOMER: Tweed</p> <p>DWG No: WED1733001</p>		<p>SERIAL #: 0000</p> <p>SHEET 3/6</p> <p>REVISION 1.1.0.0</p>	
----------	--	-------------	------	--------	--	--	---	--	---	--	--	--	---	--	--	--

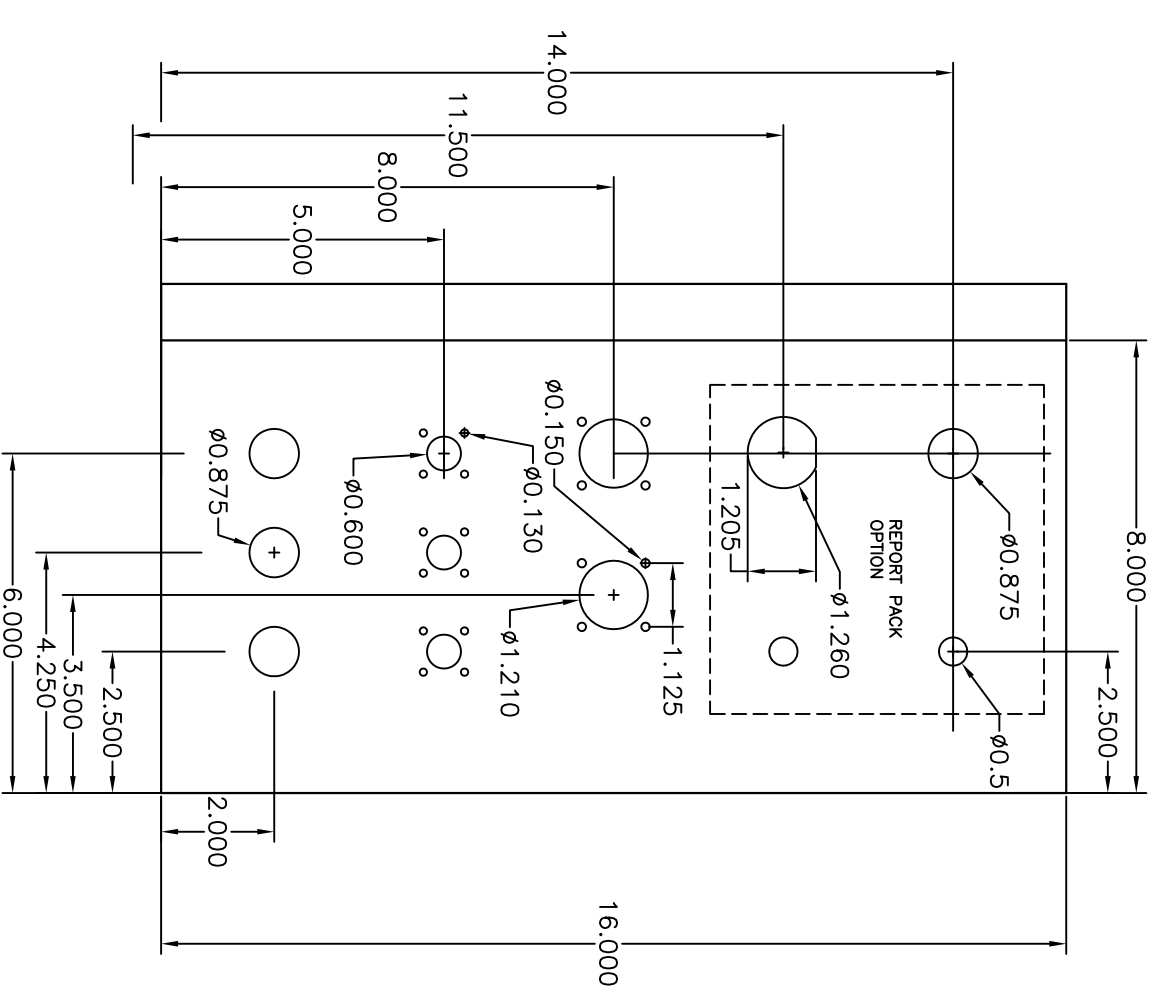





RIGHT SIDE VIEW



BOTTOM VIEW



REV DATE		DESCRIPTION		DRAW VERIFY		<p>PROPRIETARY PROPERTY</p> <p>THIS DRAWING AND INFORMATION CONTAINED THEREON IS EXCLUSIVE PROPERTY OF WEIGHPACK SYSTEMS INC. OWNER RESERVES THE RIGHT TO RECALL DRAWING UPON DEMAND AND TO COLLECT DAMAGES FOR MISUSE OF ITS PROPRIETARY INFORMATION.</p>		<p>THIS DRAWING IS THE PROPERTY OF WEIGHPACK SYSTEMS INC. AND NOT TO BE USED IN ANY WAY WITHOUT THE EXPRESS WRITTEN CONSENT OF WEIGHPACK SYSTEMS INC.</p>		<p>STOCK CODE No:</p>  <p>WEIGHPACK SYSTEMS INC. www.weighpack.com</p>		<p>DRAWN BY: AL</p> <p>DATE: Jun. 13, 2017</p> <p>APPROVED BY:</p> <p>DATE:</p> <p>REF. FILENAME:</p> <p>FILENAME: WED1733001p6 Panel Cutout.dwg</p>		<p>TITLE: PANEL CUTOUT</p> <p>CUSTOMER: Tweed</p> <p>DWG No: WED1733001</p>		<p>SERIAL #: 0000</p> <p>SHEET 6/6</p> <p>REVISION 1.1.0.0</p>	
----------	--	-------------	--	-------------	--	--	--	---	--	---	--	--	--	---	--	--	--